



**SSI**

SCREENING SYSTEMS INTERNATIONAL, INC.

# traveling

SSI is the largest provider of traveling water services in North America.

## SCREENING SYSTEMS INTERNATIONAL, INC.

■ Screening Systems International is a full service, traveling water screen company.

SSI Provides:

■ Since our inception we have focused totally on traveling water screens. While our services include design,

- New traveling water screens

engineering and manufacturing of new traveling water screens and total intake systems, we also excel in another

- Upgrades for all traveling water screens

area of expertise...rebuilding existing traveling water screens.

- Identical replacement parts

■ Rebuilding an existing traveling water screen is the cost-effective alternative to a totally new, exact replacement

- Complete intake systems

screen. Rebuilding also allows you to plan and schedule maintenance rather than continually making costly repairs

- Fish handling/survival retrofits and upgrades

at the worst possible times.

- Rebuilding of all makes of traveling water screens

■ Our "wear points rebuild" program focuses on the replacement parts and areas that normally wear on traveling

- Service crews for on-site repairs

water screens and comes with the same 18-month warranty as our new screens.

- Service maintenance agreements

■ SSI's commitment to quality, service and satisfaction has made us the largest rebuilder of traveling water screens

in North America; in fact, SSI rebuilds more traveling water screens than all of our competitors combined.

■ Should you have an emergency, SSI will always give your plant the priority needed to get your traveling water

screens up and running again.

water

## REBUILDING TRAVELING WATER SCREENS



*Once extracted, the traveling water screen is shipped to our manufacturing facility.*

■ SSI rebuilds all designs, makes and models of traveling water screens.

Our rebuilding program refurbishes traveling water

screens back to their original specifications using only exact replacement parts.

■ Once your traveling water screen is at our facility, it is completely disassembled and



*Once disassembled, all parts are sandblasted down to bare metal.*

sandblasted to bare metal. The complete traveling water screen is then inspected by our engineers and a



*The complete traveling water screen is inspected by our engineers and a detailed report is prepared outlining its exact condition.*

detailed inspection report is prepared outlining its exact condition and what repairs

are necessary. Should the traveling water screen require repairs beyond the scope

of the original cost estimate, a new estimate is prepared and E-mailed, along with

digital photos to the customer for evaluation.

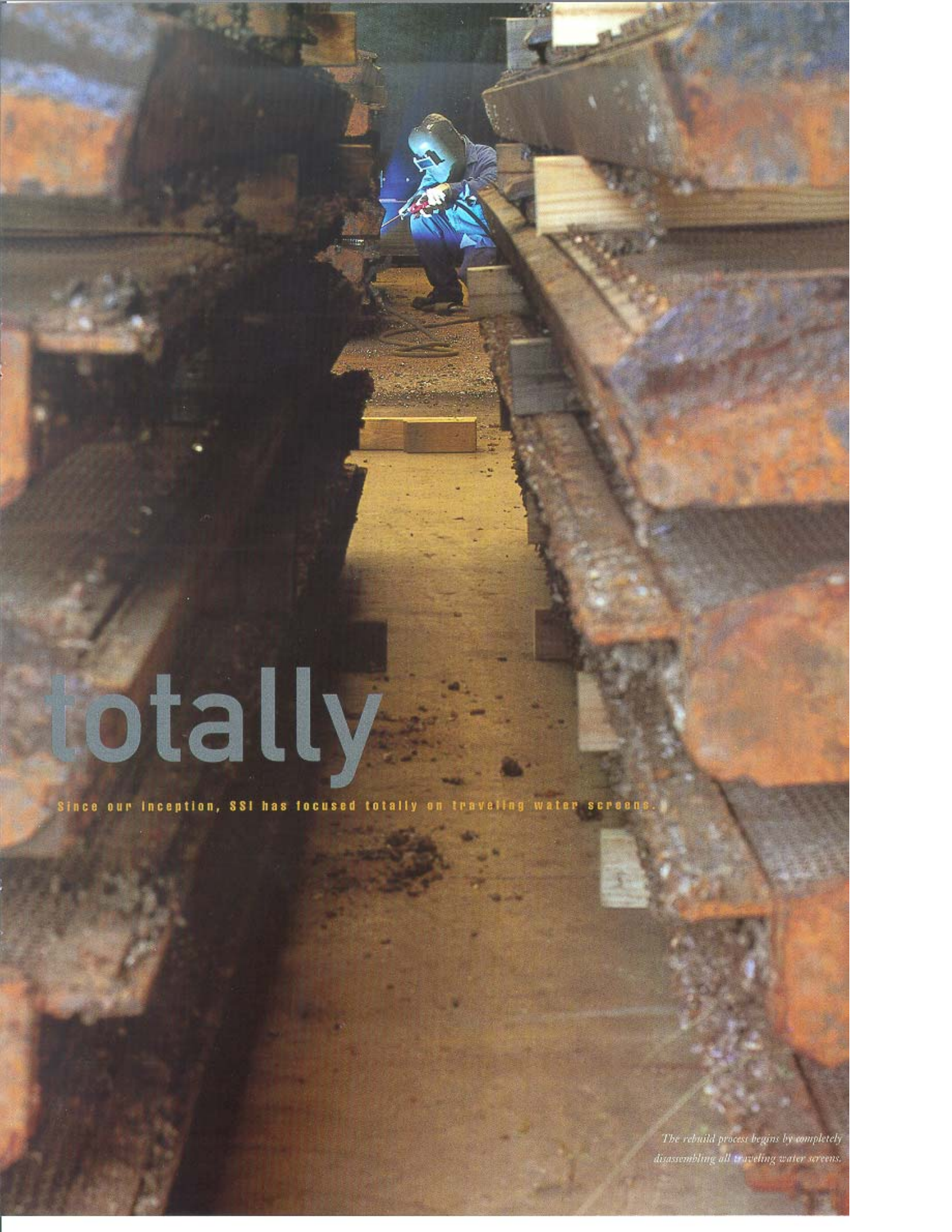
■ During the rebuild process each traveling water screen receives new replacement parts or repair to existing



parts and frame assemblies.

*Each traveling water screen receives new replacement parts or repair to existing parts and frame assemblies.*

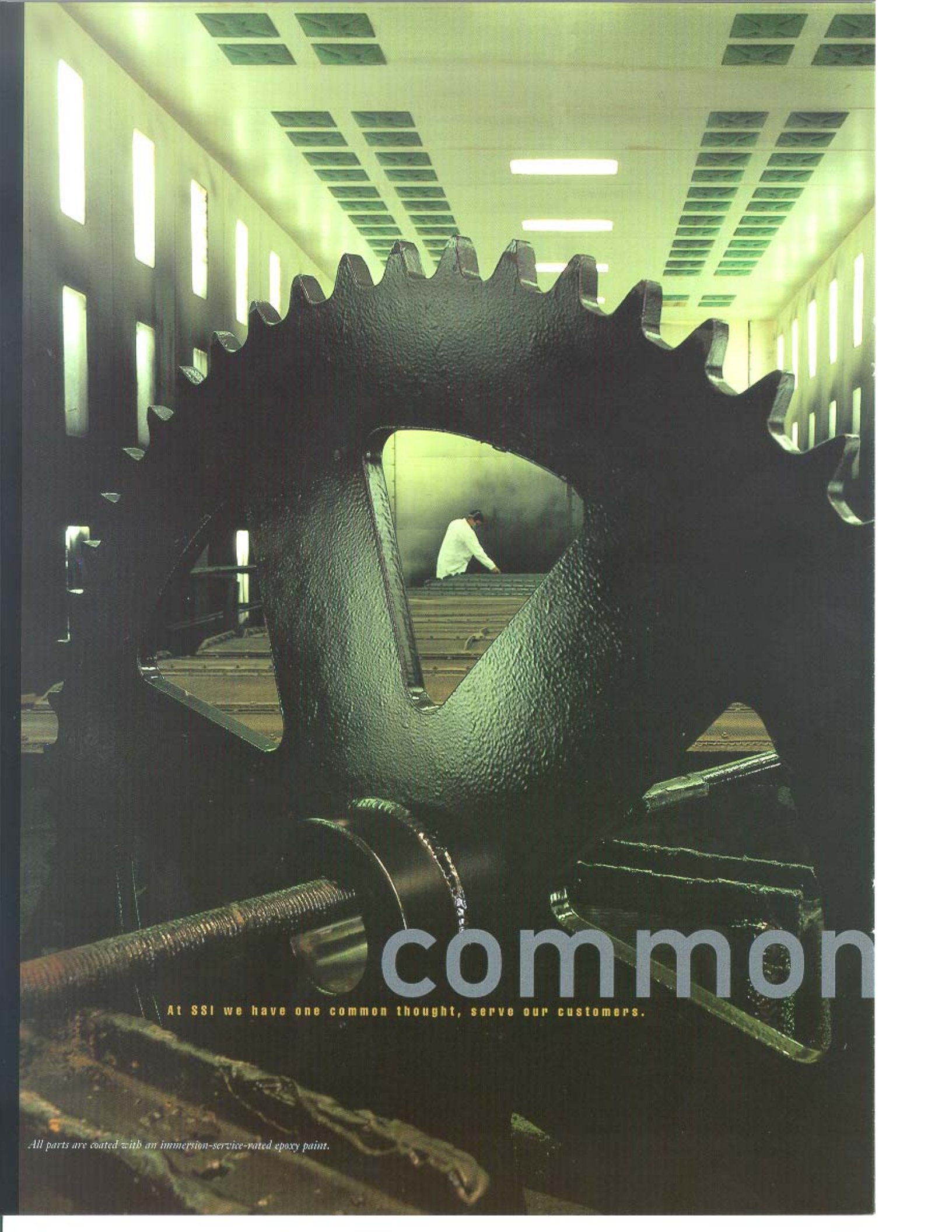
focused



# totally

Since our inception, SSI has focused totally on traveling water screens.

*The rebuild process begins by completely disassembling all traveling water screens.*



common

At SSI we have one common thought, serve our customers.

*All parts are coated with an immersion-service-rated epoxy paint.*

## REBUILDING TRAVELING WATER SCREENS

Also during the rebuilding process we can offer upgrades for

the traveling water screen to overcome any type of problems

it previously had and to ensure the rebuilt screen will

provide years of dependable parts and service.



*Upgrades are made to ensure the rebuilt traveling water screen will provide years of dependable service.*



*Reassembled traveling water screens are carefully checked and test run before being returned for reinstallation.*

- Once the main frame and sub assemblies have been rebuilt, the entire traveling water screen and all of its parts are coated with an immersion-service-rated epoxy paint. The traveling water screen is then reassembled and test run before being returned.

# thought



*Rain or shine, SSI handles all transporting and hauling services to ensure the timely arrival of the finished traveling water screen.*

## FIELD SERVICES



*Each crew's trailer has three of every type of tool needed plus rigging, slings and debris pumps.*

**come totally prepared to perform any intake project. Each crew trailer**

**has three of every type of hand tool needed, rigging, slings and debris pumps. All of our**

**service crews have state-of-the-art diving gear complete with communications. SSI abides by**

**strict OSHA and US Coast Guard safety regulations. This assures the customer and our service crews a safe and**

**successful project. SSI field service crews are available to perform water screen removal and reinstallation or**

**emergency repairs, usually within forty-eight hours notice.**

### SSI Field Service Crews offer:

- Removal and reinstallation.
- Inspection and adjustments.
- On-site repairs.
- Contract maintenance agreements.
- On-site preventive maintenance.
- Well cleaning.
- Underwater video inspections.

■ **SSI service crews are absolutely the most professional, experienced and best equipped in this industry. All SSI crews**



*Our divers perform all in-well repairs and service.*

# totally



*Our crews perform repairs and scheduled maintenance on all makes of traveling water screens.*



prepared

At all times, we come totally prepared to perform any intake project.

*Performing installation of rebuilt  
traveling water screen.*

# REPLACEMENT PARTS

SSI can react to your emergency parts needs immediately...with no unnecessary delays.

No matter what the make or manufacture of your traveling water screen, we stock the

largest inventory of upgrade and exact

replacement parts anywhere. All replace-

ment and upgrade parts are guaranteed to fit

exactly as the originally supplied parts. Our

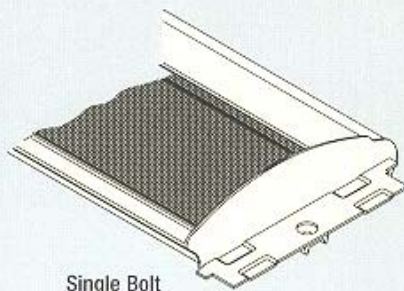
express parts shipment service enables us

to get your traveling water screen back in

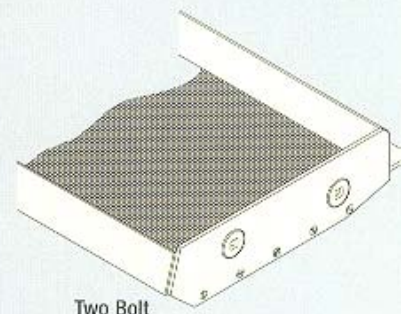
full operation thus saving you substantial

dollars in time delays.

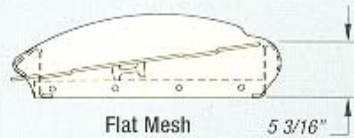
## BASKET TYPES



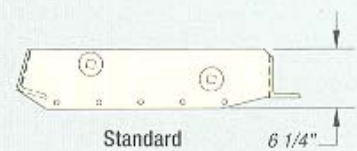
Single Bolt



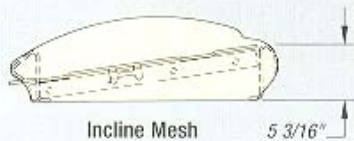
Two Bolt



Flat Mesh 5 3/16"



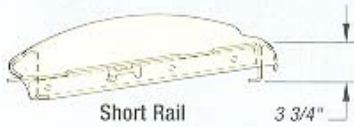
Standard 6 1/4"



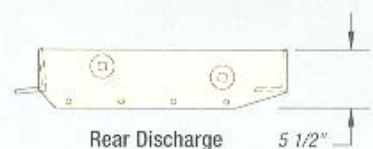
Incline Mesh 5 3/16"



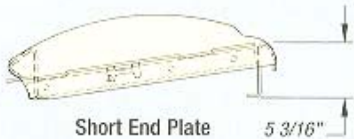
Short Rail 4 1/2"



Short Rail 3 3/4"



Rear Discharge 5 1/2"



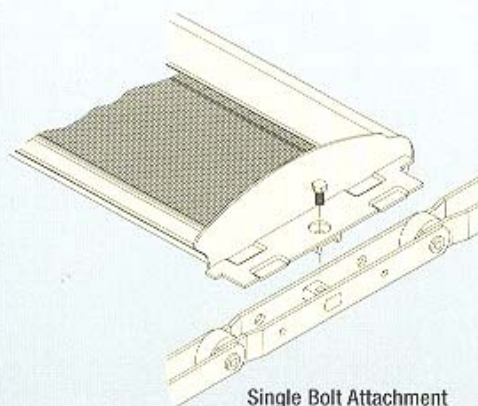
Short End Plate 5 3/16"



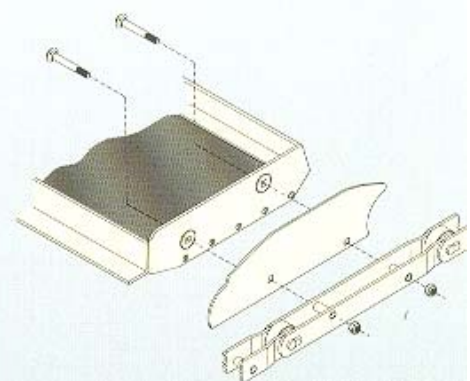
Rear Discharge



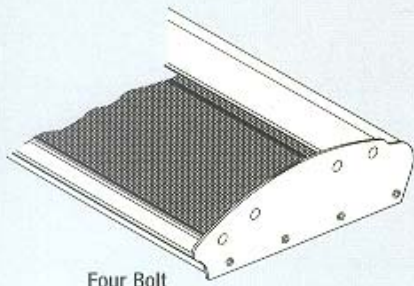
Heavy Duty



Single Bolt Attachment



Two Bolt Attachment



Four Bolt



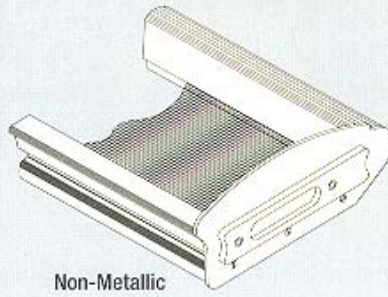
Flat Mesh



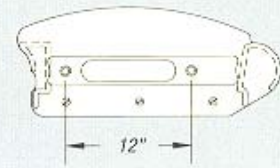
Incline Mesh



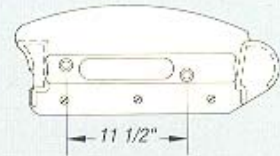
Heavy Duty



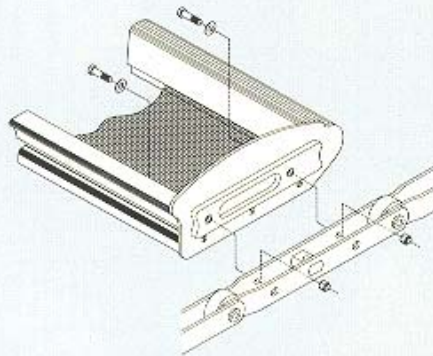
Non-Metallic



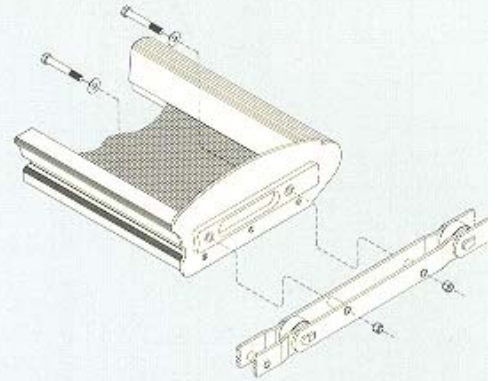
Style A



Style B

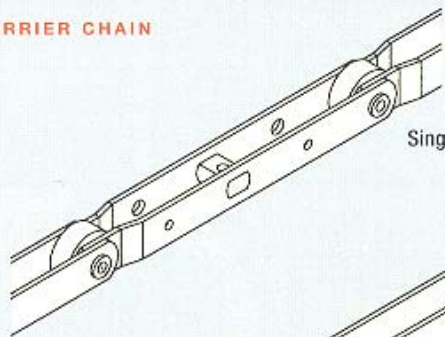


Style A - Non-Metallic Attachment

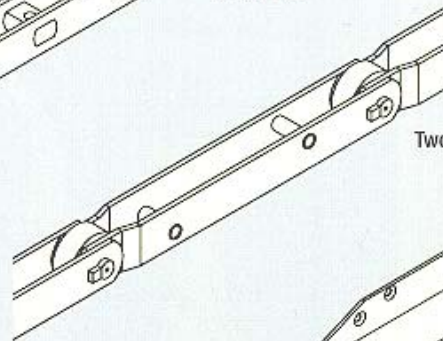


Style B - Non-Metallic Attachment

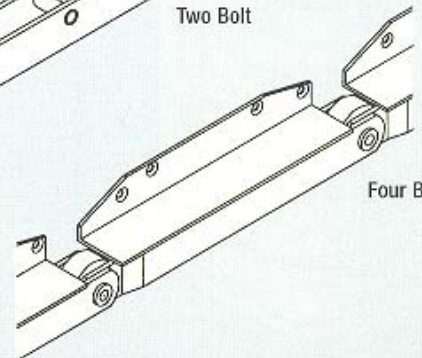
**CARRIER CHAIN**



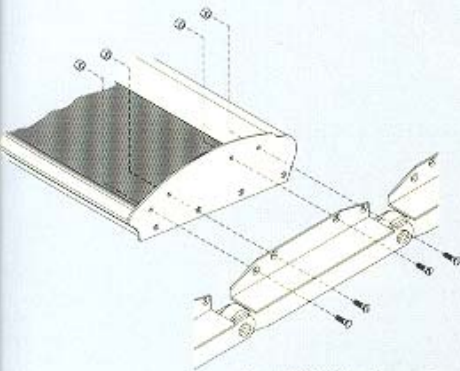
Single Bolt



Two Bolt

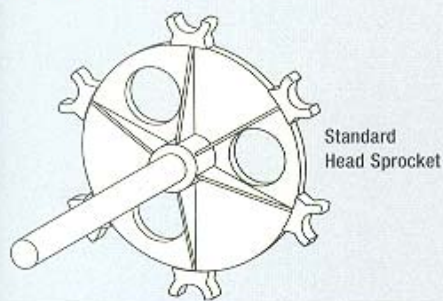


Four Bolt

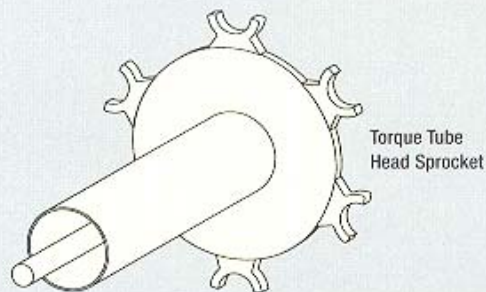


Four Bolt Attachment

**HEAD SPROCKETS** SSI stocks all types of head sprocket, regardless of the make or model of your screen.

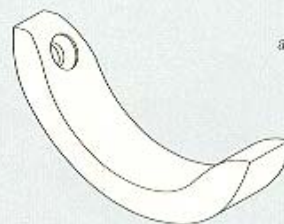


Standard Head Sprocket

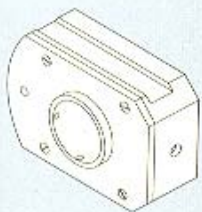


Torque Tube Head Sprocket

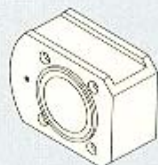
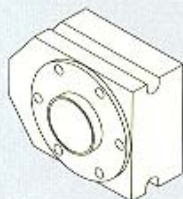
**SPROCKET TOOTH INSERTS** Tooth inserts are available to all styles of head sprockets.



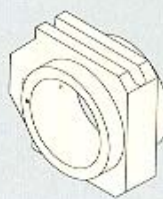
**TAKE-UP BEARINGS** SSI stocks all types of take-up bearings including Anti-Friction Roller Bearings, Bronze Bushings, and Non-Metallic Bushings.



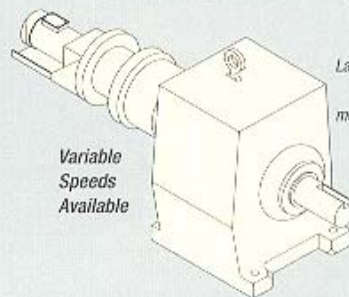
Anti-Friction Roller Bearings



Bronze-Bushed Bearings



**MOTOR/REDUCER ASSEMBLY**

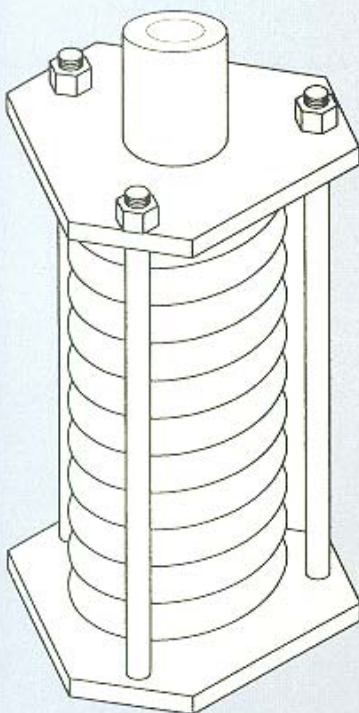


Large selection of motors, speeds, and reducers.

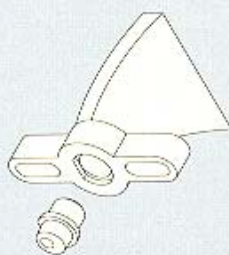
Variable Speeds Available

**SUSPENSION SYSTEMS**

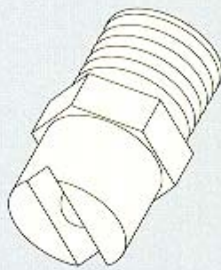
Sizes available to fit all sizes and models of traveling water screens.



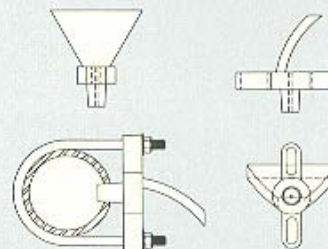
**SPRAY WASH SYSTEMS**



Non-Metallic Style Spray Nozzle



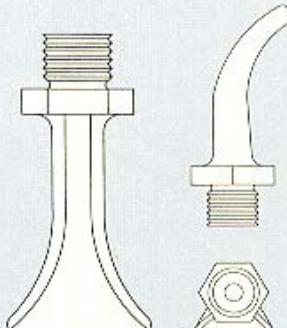
Vee-Jet Style Spray Nozzle



Cast 17-4 SS Spray Nozzle

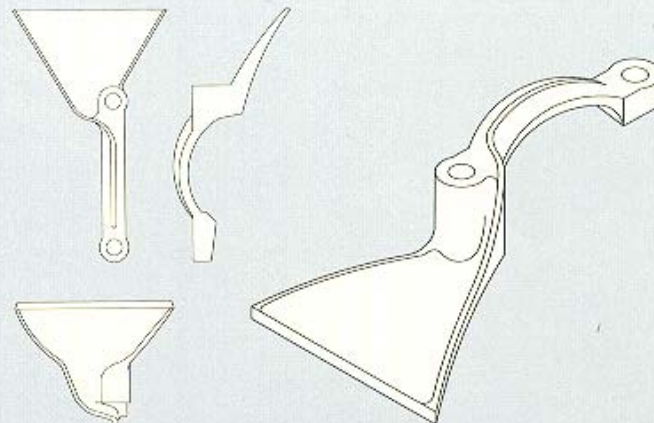
**SPRAY NOZZLES**

Heavy-duty cast bronze spray nozzles allow extra wear under abrasive conditions.

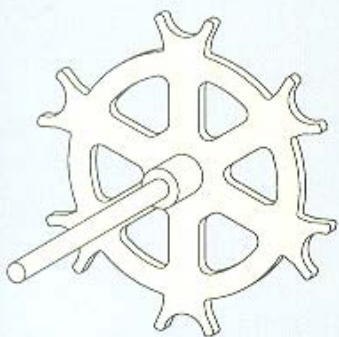


Cast Bronze Style Spray Nozzle

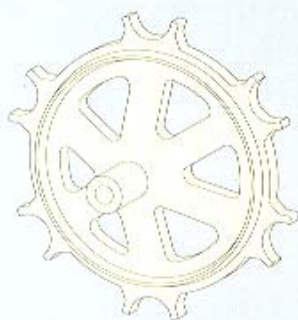
**Cast Fan Style Spray Nozzle**



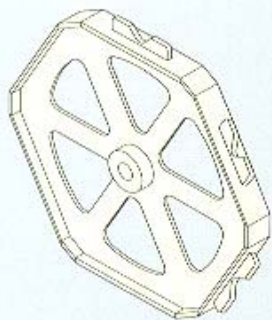
## FOOT SPROCKETS



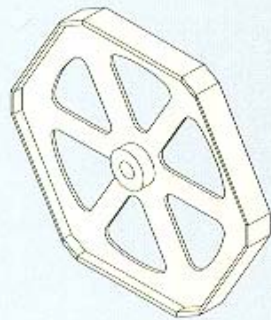
Positive Tracking Foot Sprocket



Cast Dished Foot Sprocket

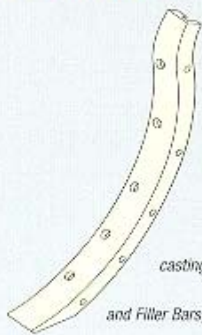


Cast Traction Wheel Foot Sprocket



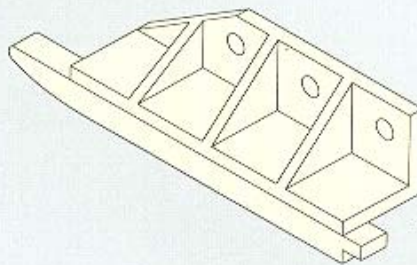
Cast Wear Rim Foot Sprocket

## BOOT CASTING



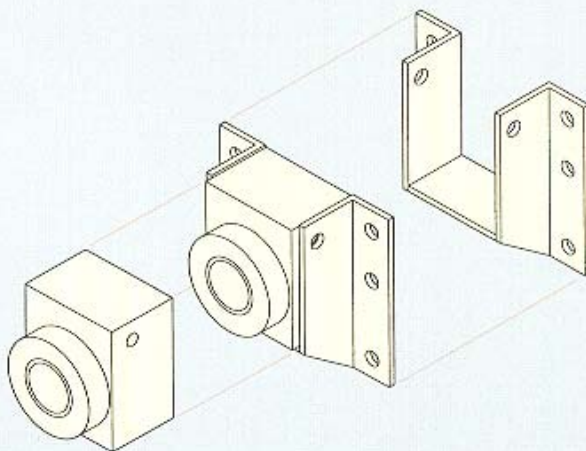
SSI stocks boot castings as well as Track and Filler Bars, depending on the make and model of your screen.

## CAST EXTENSION SHOE

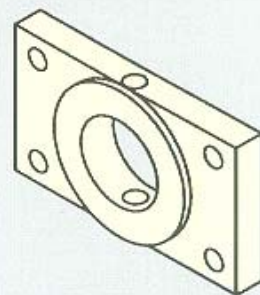


Extension shoes are available in carbon steel and stainless steel.

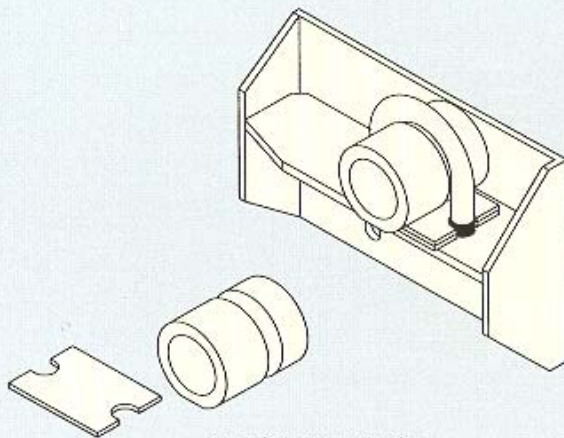
## FOOT SHAFT ATTACHMENTS



Block Style Foot Shaft Bracket



4 Bolt Style Foot Shaft Bracket



U-Bolt Style Bronze Bearing



Bear Claw Style Foot Shaft Bracket

## SSI FACILITY



■ SSI operates out of a state-of-the-art production

facility. At the heart of our plant is a massive 700' by

60' building where we build and repair traveling water

screens in an assembly line fashion. Beginning at one

end, all parts are blasted in our steel shot booth then moved down the

line to the next station. At the far end, our paint booth puts the finishing

touches on all parts and assembled traveling water screens before final



shipment. We also have on site our own fiberglass fabrication shop where all fiberglass housings and



non-metallic baskets are made.

■ Our highly skilled staff is on call twenty-four hours a day seven days

a week, to provide the most comprehensive service in the

traveling water screen industry. For more information please call: 1-877-654-3900.



**SCREENING SYSTEMS INTERNATIONAL, INC.**

P.O. Box 760 · Slaughter, LA 70777 · Tele: 225-654-3900 · Fax: 225-654-3966 · email: [sales@screeningsystems.com](mailto:sales@screeningsystems.com)  
[www.screeningsystems.com](http://www.screeningsystems.com)